



**LOTTO TORO SOCCER CLEAT**

JON JOHANNESSON

**5/23/2017**

Grey  
#4b4b4b

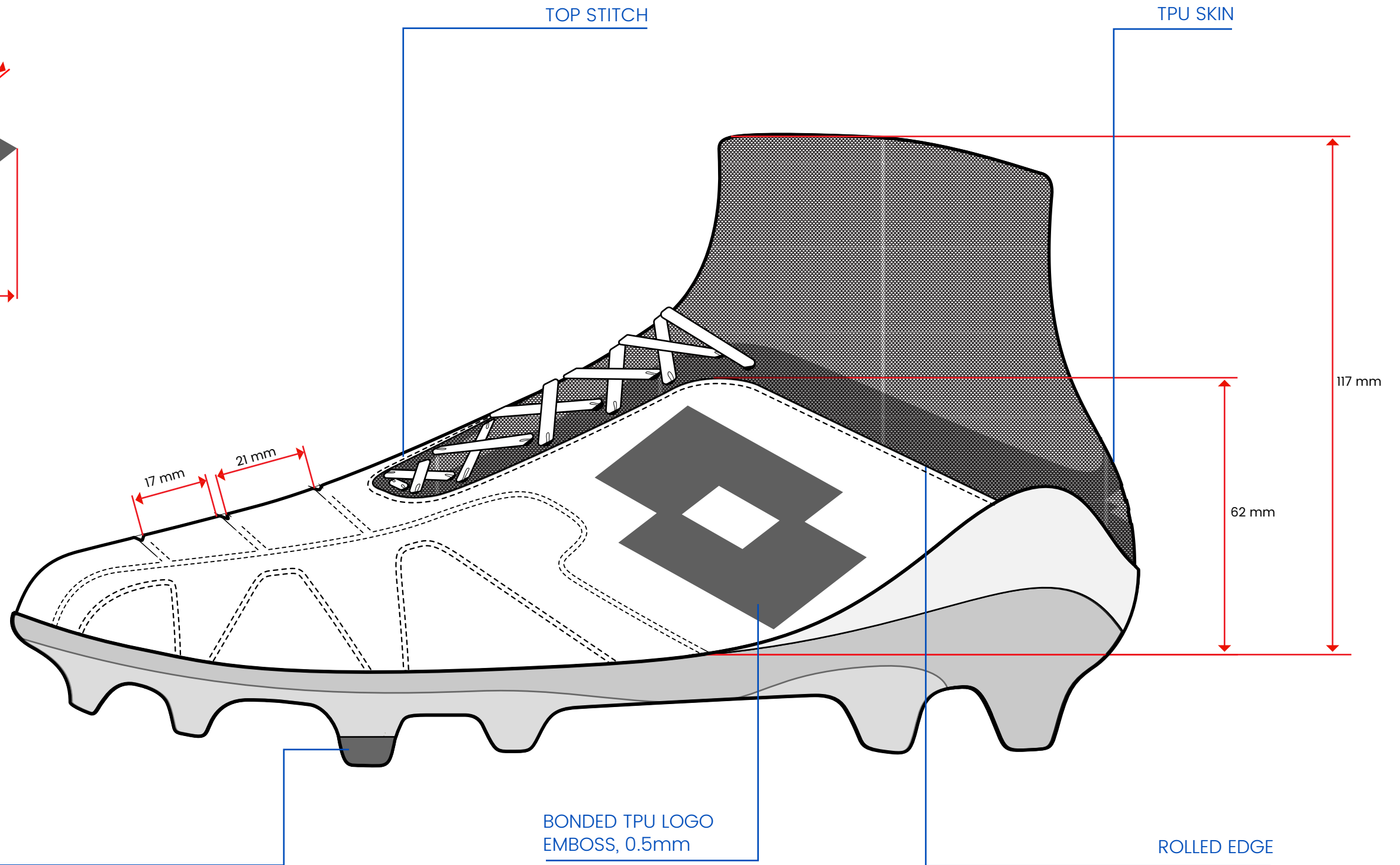
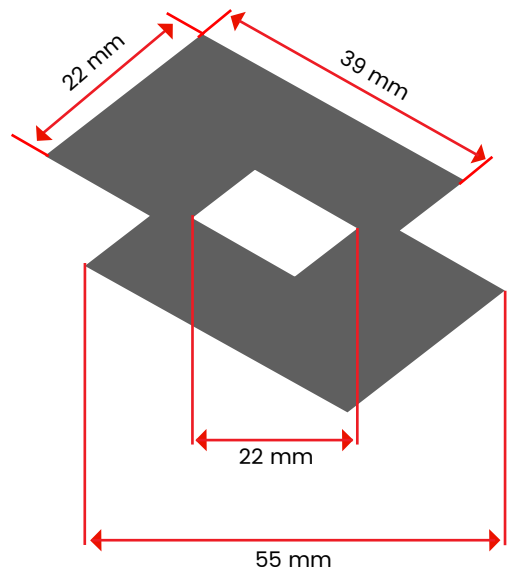
Dark Grey  
#282828

Lotto Green  
#45f421

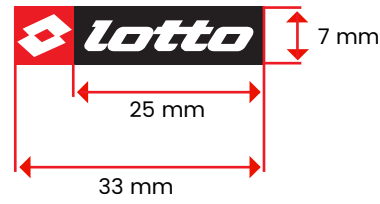
Light Grey  
#f1f1f1

Black  
#000000



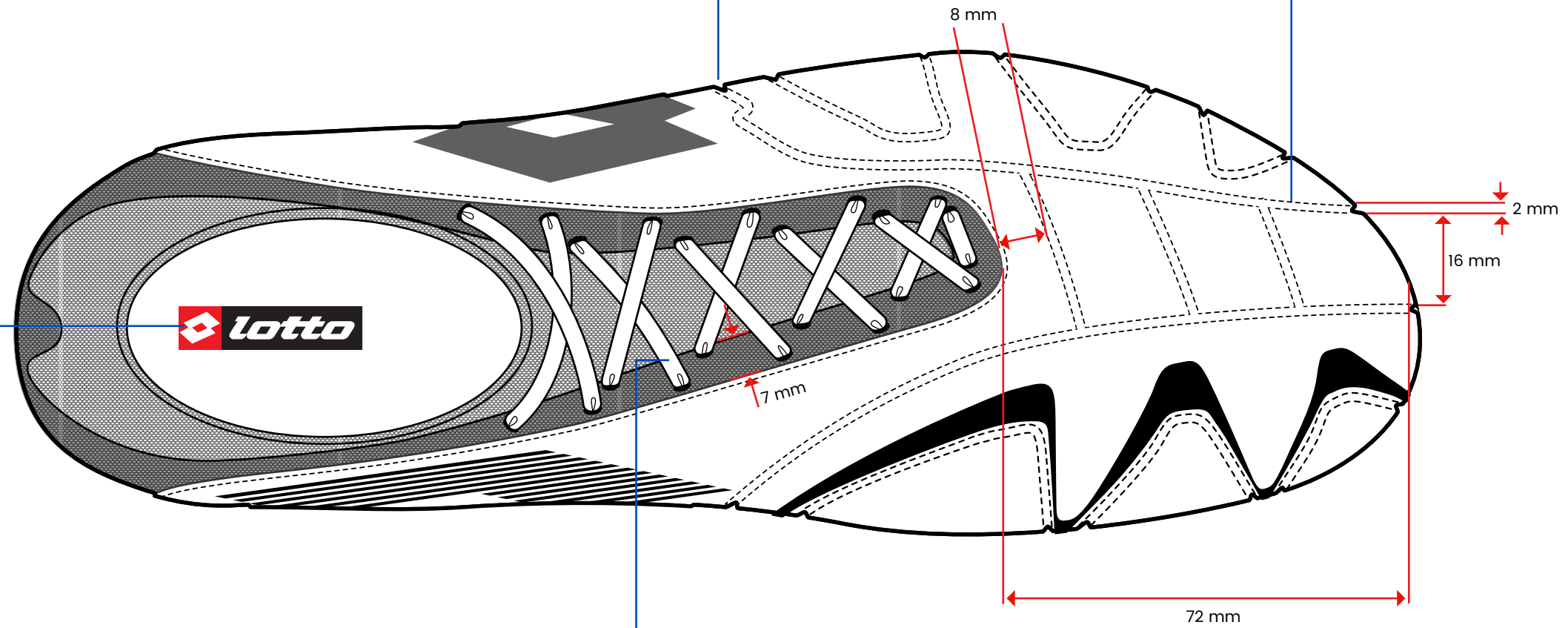


LATERAL VIEW



QUILTED

DOUBLE STITCH



HEAT TRANSFER LOGO

FLAT LACES

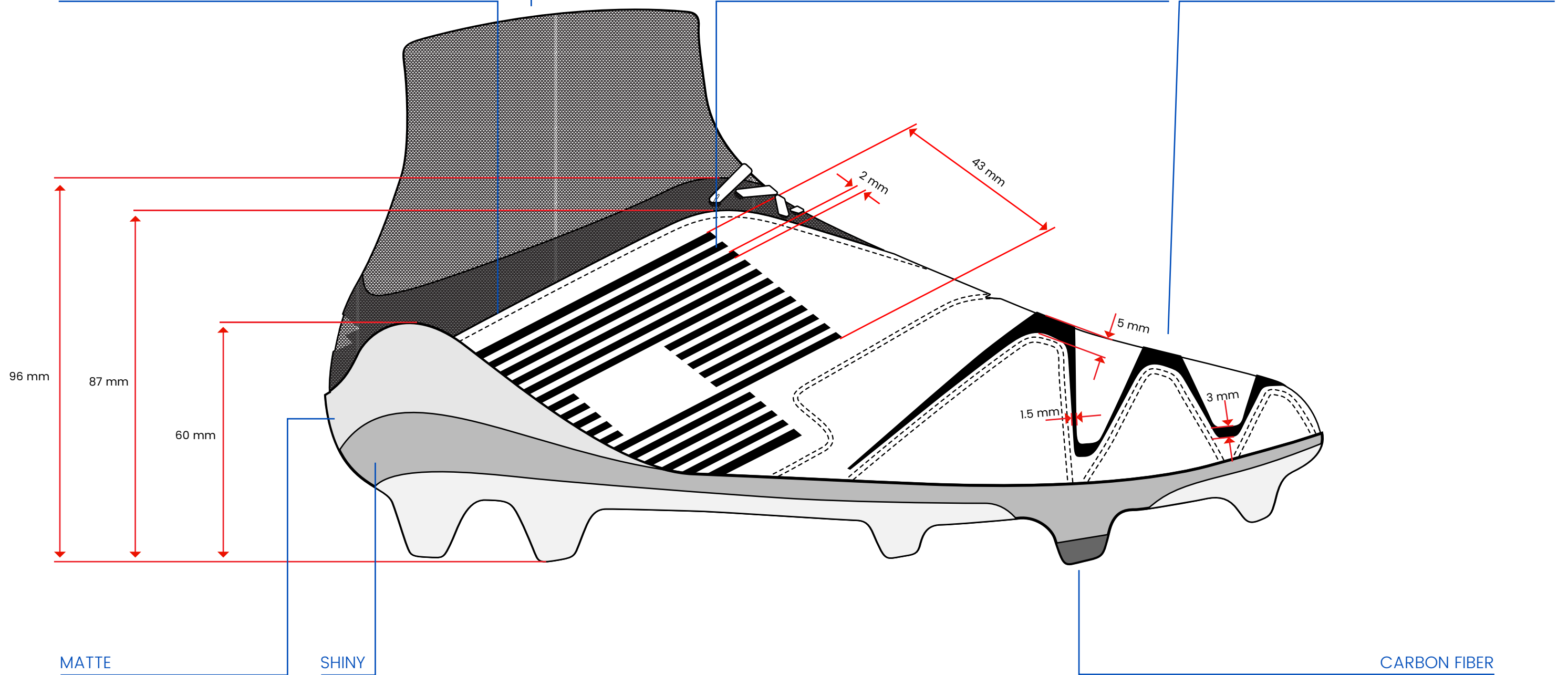
TOP VIEW



3D KNIT

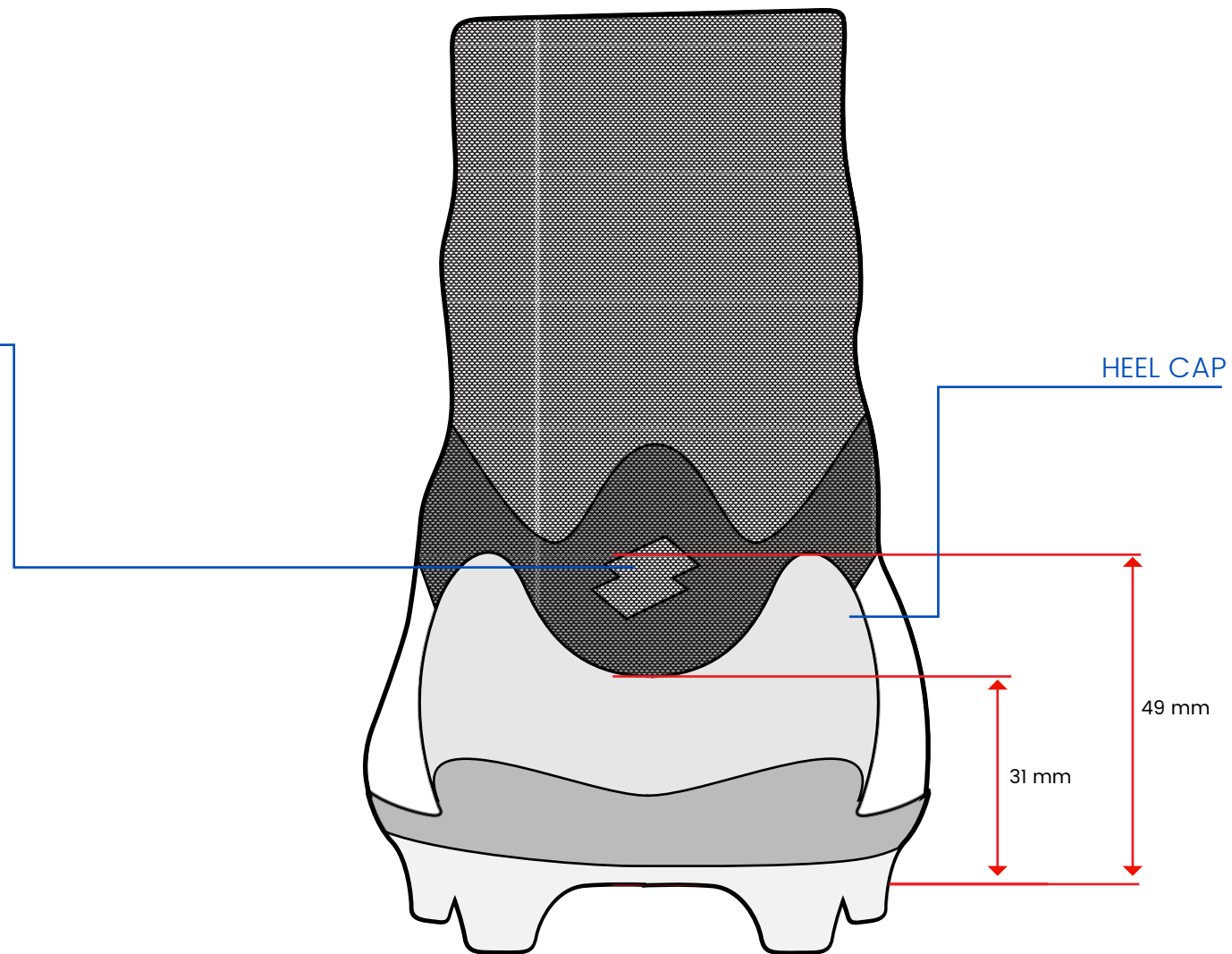
ROLLED EDGE

SILICONE SCREEN PRINT



MEDIAL VIEW

KNITTED LOGO  
REVEALED THROUGH  
TPU SKIN



HEEL VIEW

MOLDED SEMI TRANSPARENT OUTSOLE

3D PRINTED MIDSOLE

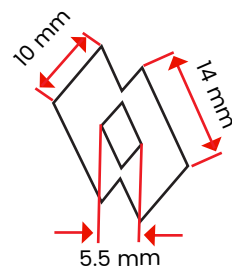
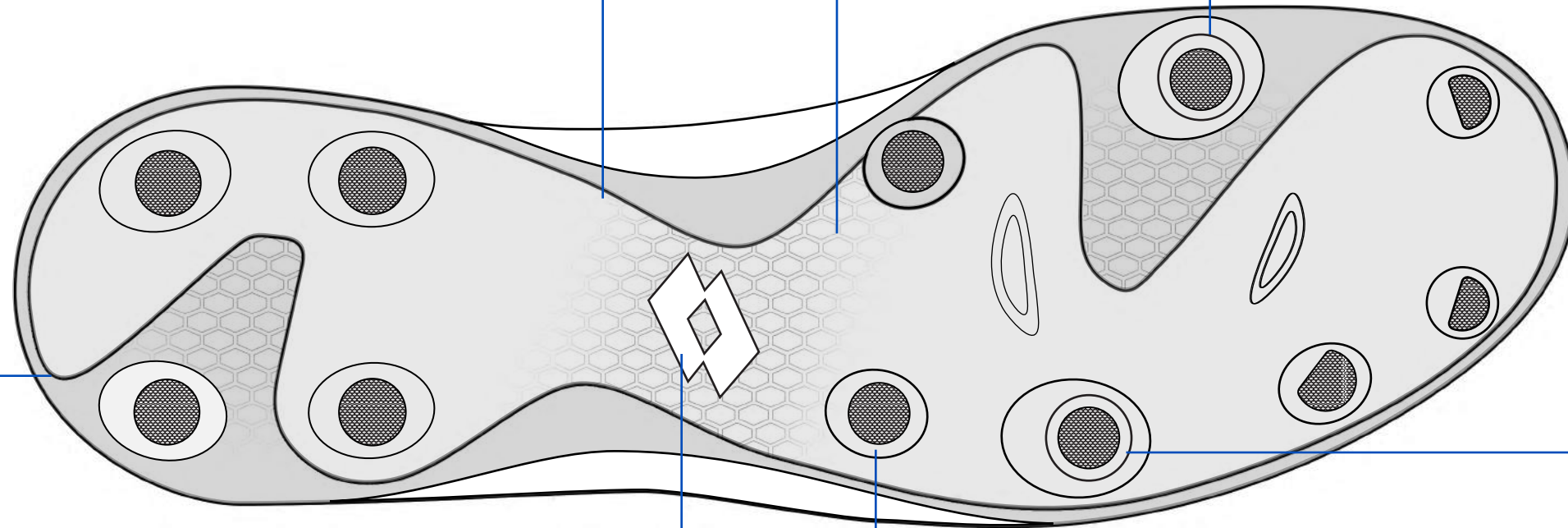
ROTATING STUD

COLOR CHANGE

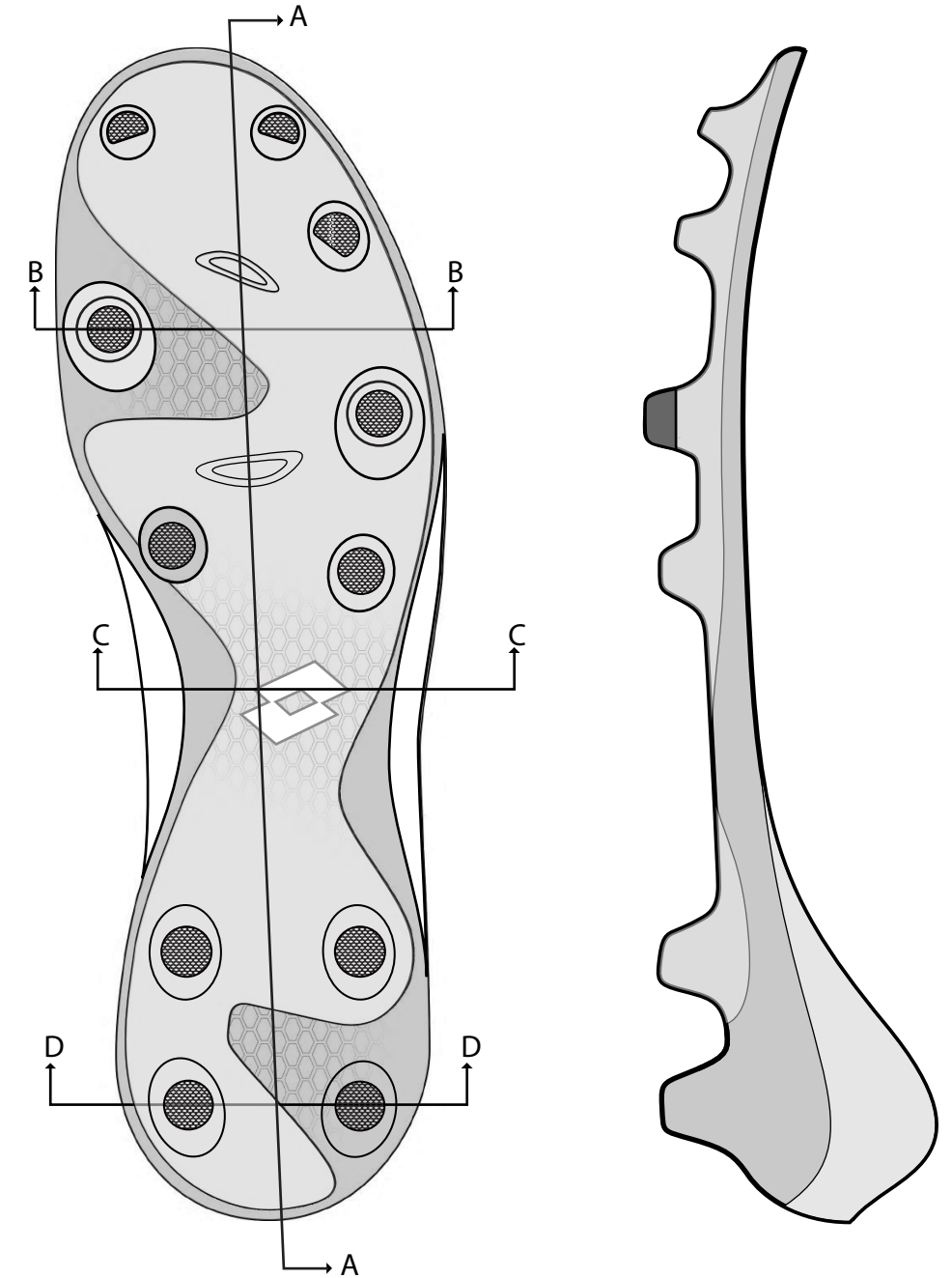
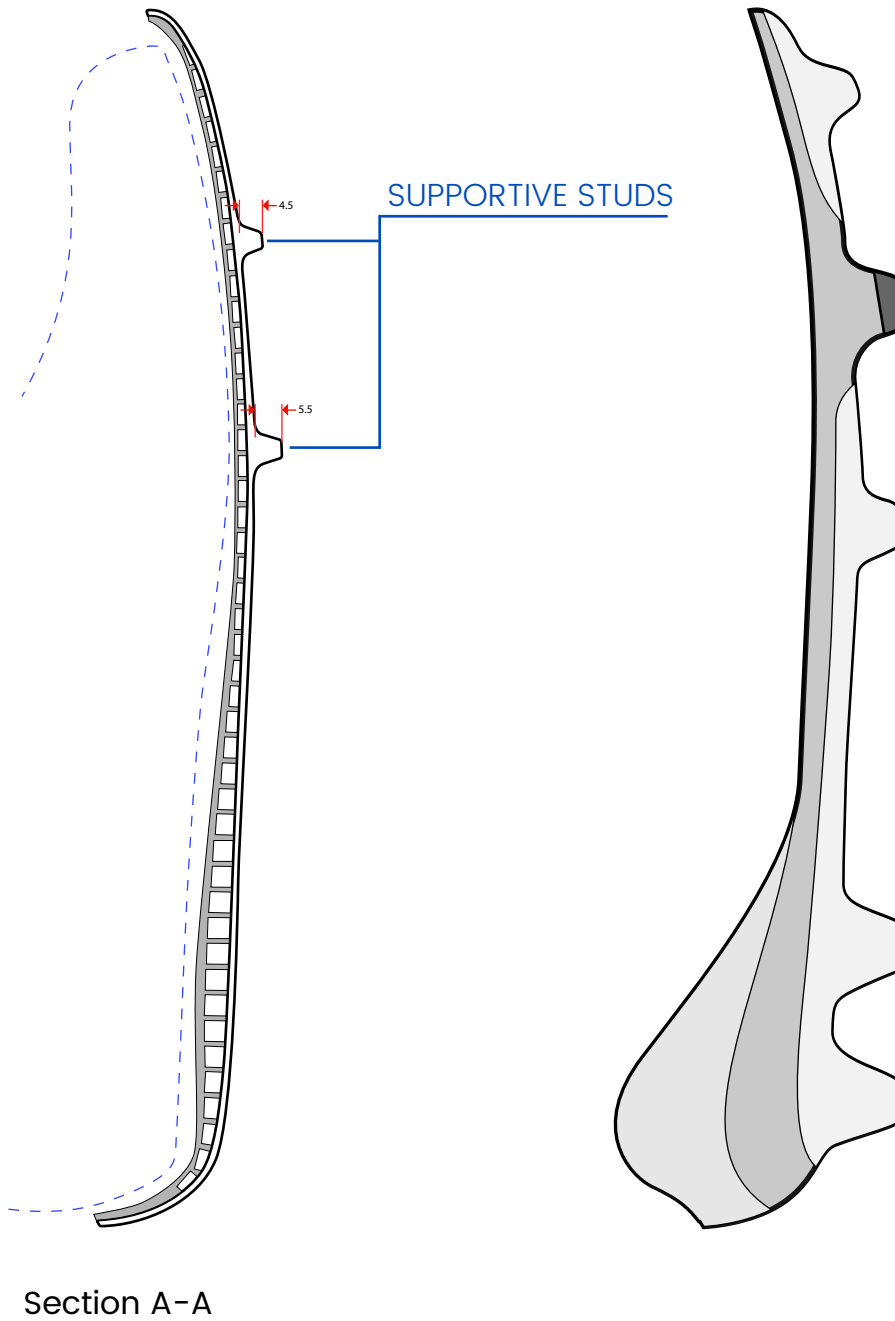
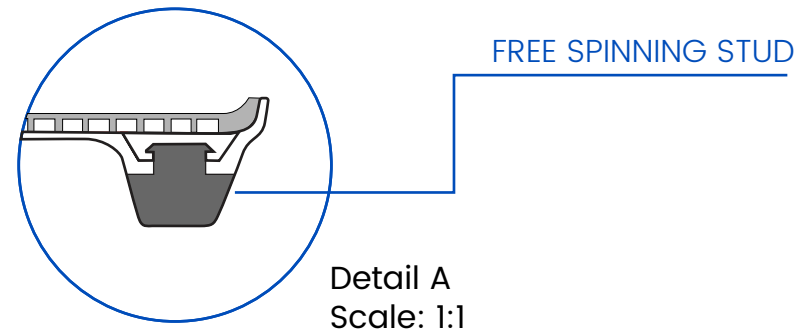
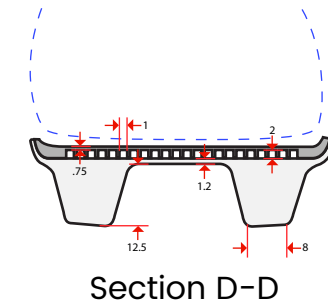
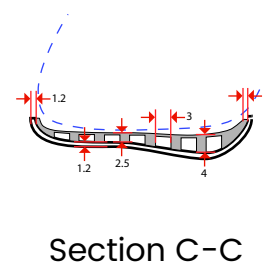
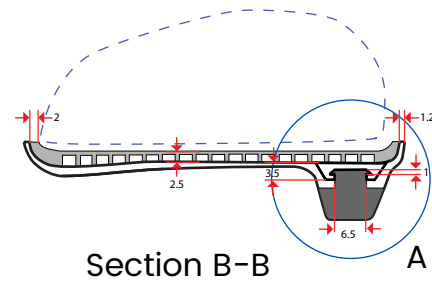
MOLDED LOGO, EMBOSS 0.5 MM

TEXTURED PATTERN FOR BALL CONTROL



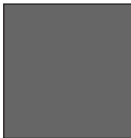
ROTATING STUD



OUTSOLE



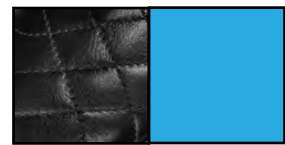
OUTSOLE SECTIONS

-  Pebax Nylon
-  TPU Elastomer
-  Carbon Fiber





3D Knit



Kangaroo Leather



Bonded TPU  
0.5 mm emboss



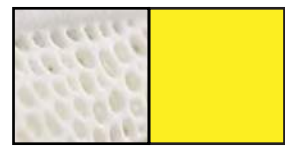
Pebax Nylon stud plate



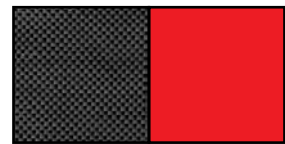
TPU Skin



Flat Laces  
4 mm, 100% Recycled  
Polyester



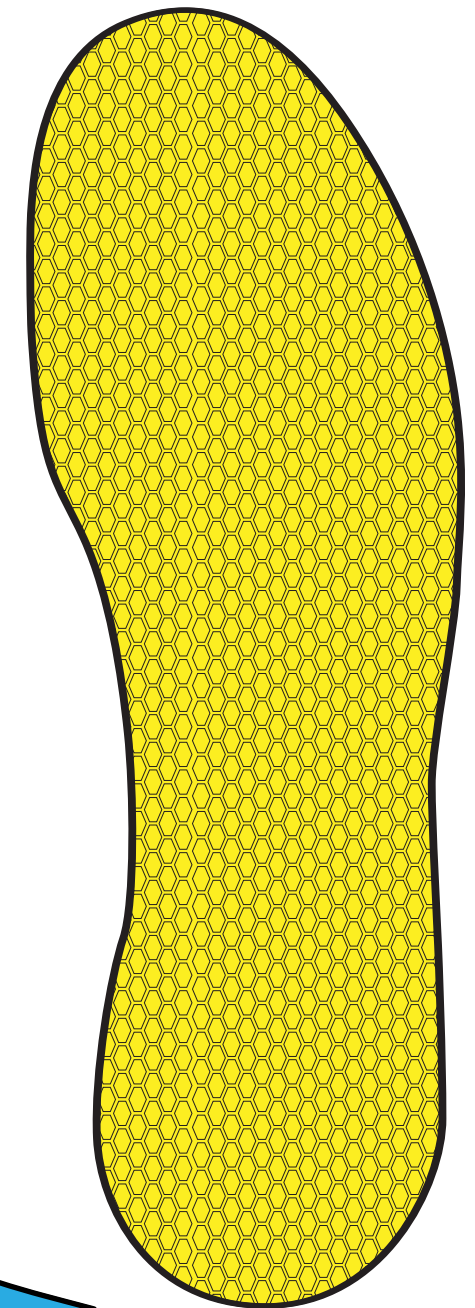
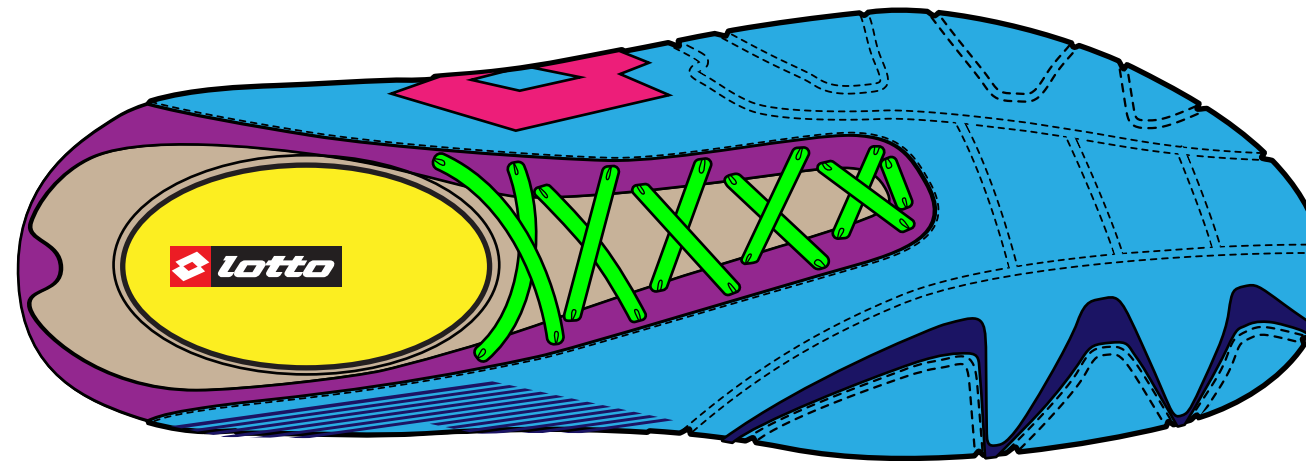
DuraForm TPU Elastomer



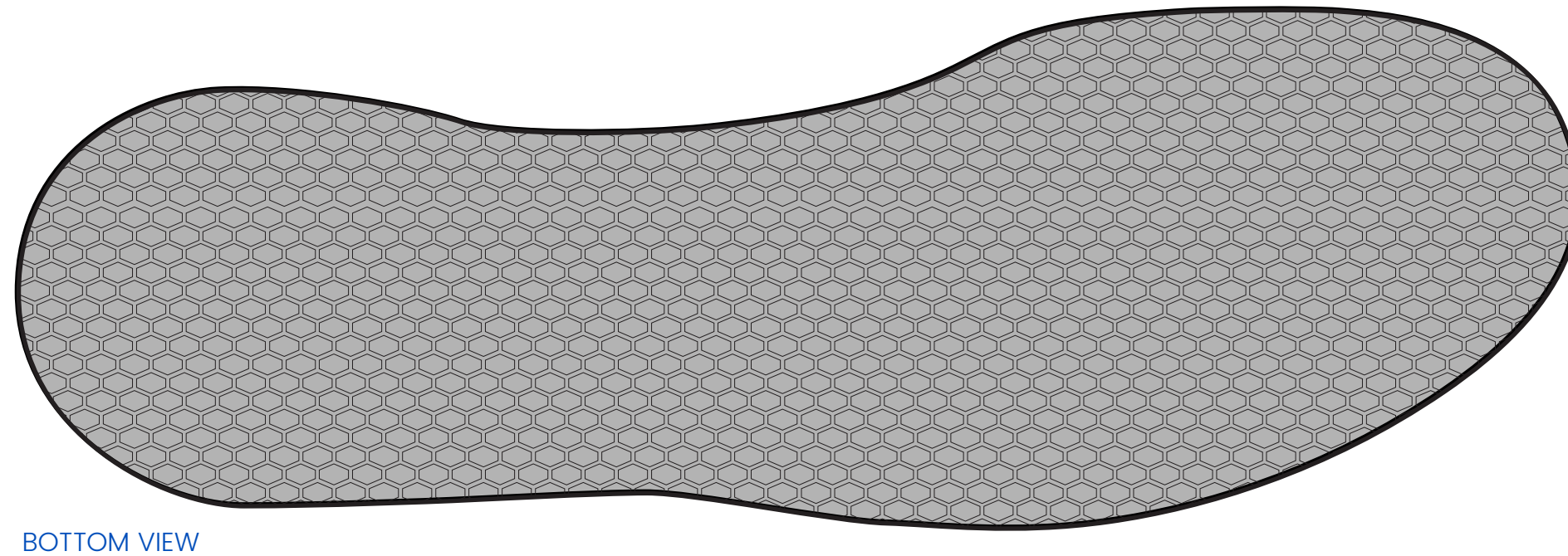
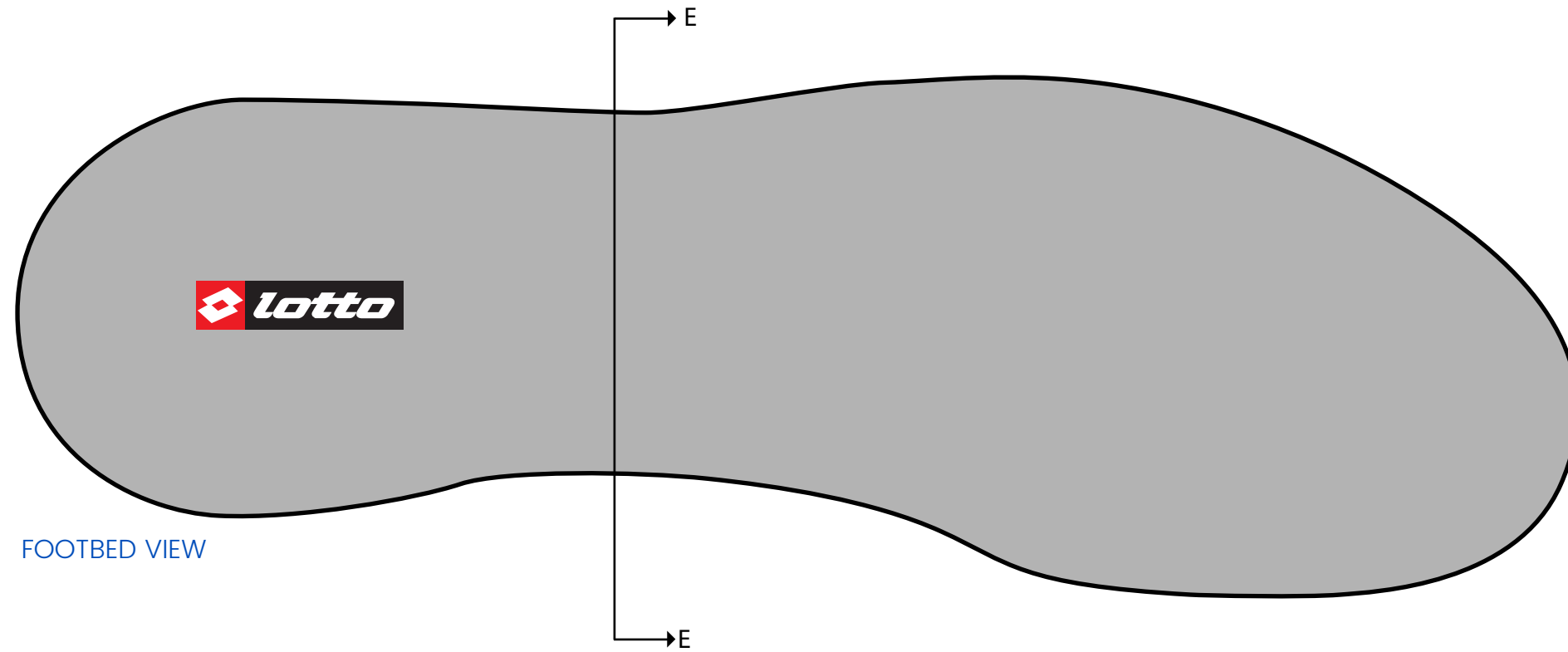
Rotating Stud, Carbon  
Fiber



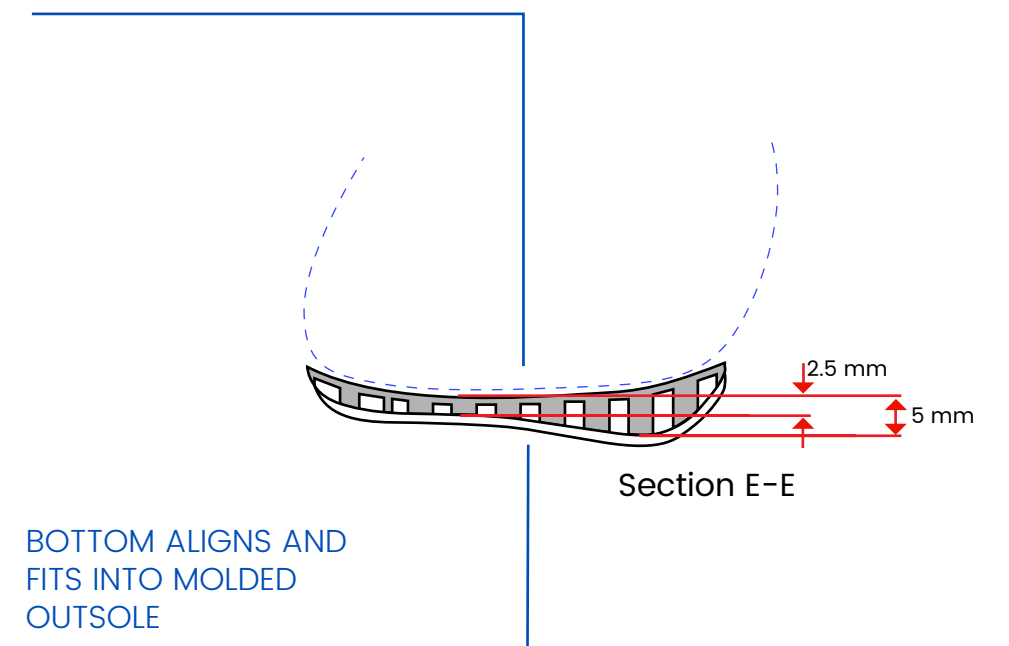
Silicone Screen Print  
0.5 mm emboss



MATERIALS



UPPER ALIGNS WITH 3D  
SCANNED BOTTOM OF  
ATHLETE'S FOOT



3D PRINTED MIDSOLE